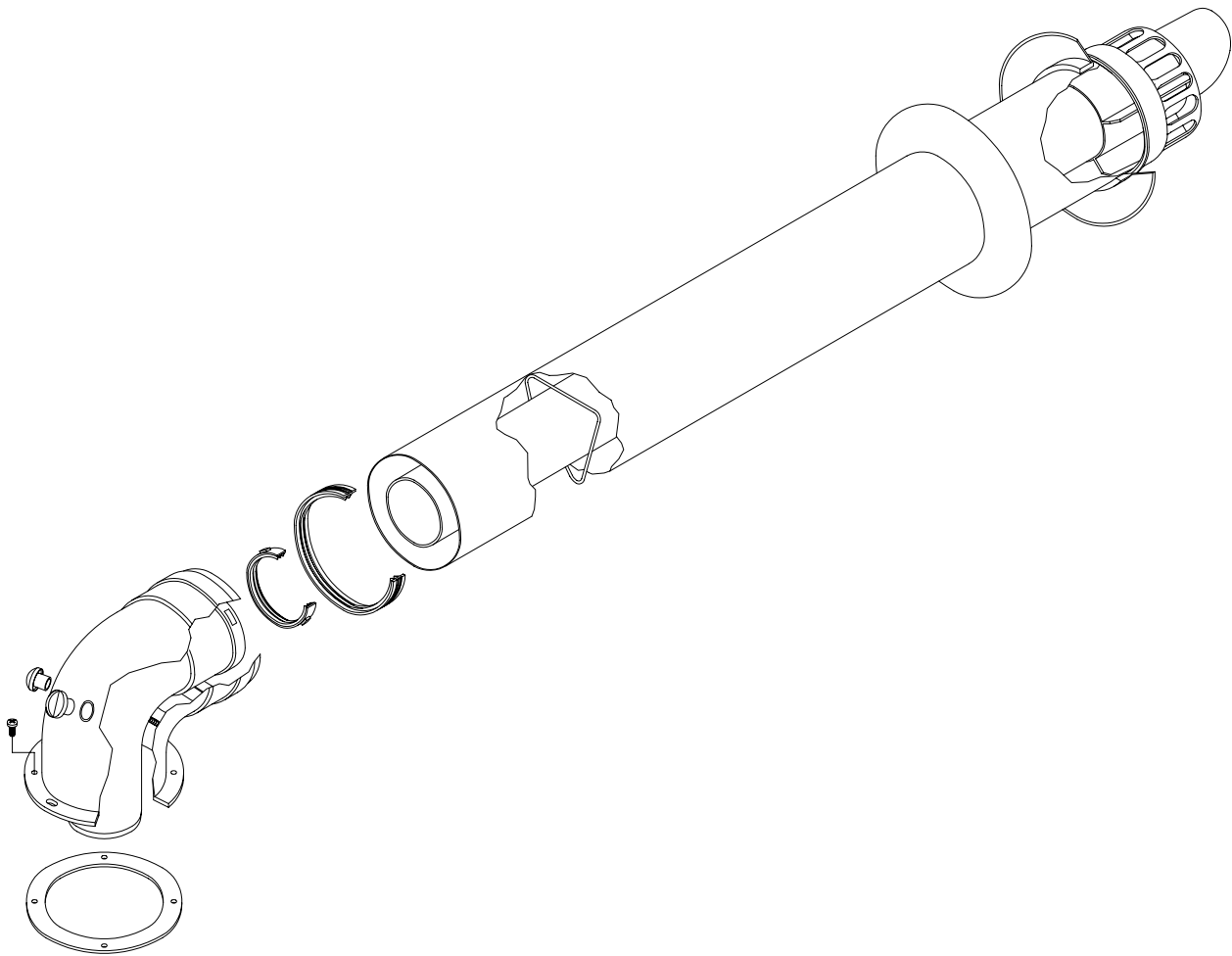


| Rev. | Description | Date |
|------|-------------|------|
|      |             |      |



For condensing boilers only. It allows flue exhaust and air intake through the 2 coaxial pipes, Ø100 external pipe (air intake) and Ø60 internal pipe (flue exhaust) to an external wall or a combined flue duct (chimney) conforming to UNI 7129/01 standard and D.P.R. 412/93

When deciding the *Flue Length* it has to be considered the total length of flue starting by the room-seal chamber top connection excluding the first bend.

For additional bends please add the following value to the linear length value:

*flue bend Ø100/60 at 90° = 0.8 m.*

*flue bend Ø100/60 at 45° = 0.5 m.*

**MAXIMUM FLUE LENGTH: 5 M.**

Therefore to calculate the total length of flue it is necessary to add the linear length of flue pipes and the value of additional bends used in the installation.

| Pos. | Code | Description  | U.M.             | QTY        |
|------|------|--|------------------|------------|
|      |      | Object:<br><b>kit K</b>  |                  |            |
|      |      | Date: <b>04.07.2002</b>  |                  |            |
|      |      | Scale: --  |                  |            |
|      |      | Department: <b>Technico</b>  |                  |            |
|      |      | Code no.:  | <b>82087LP</b>   |            |
|      |      | Designed by: --  | ---              |            |
|      |      | Controlled by: --  | ---              |            |
|      |      | Description:<br>Horizontal-coaxial flue kit system with intake / exhaust pipes Ø60/100 |                  |            |
|      |      | Approved by: --  |                  |            |
|      |      | Sheet no:  | <b>C0020.0B1</b> | No.<br>--- |